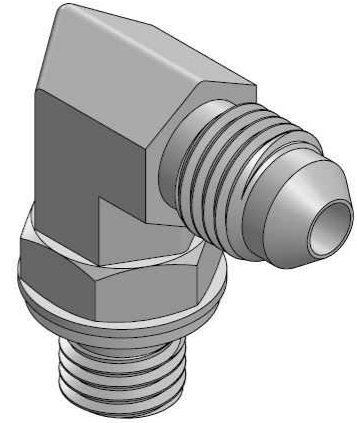
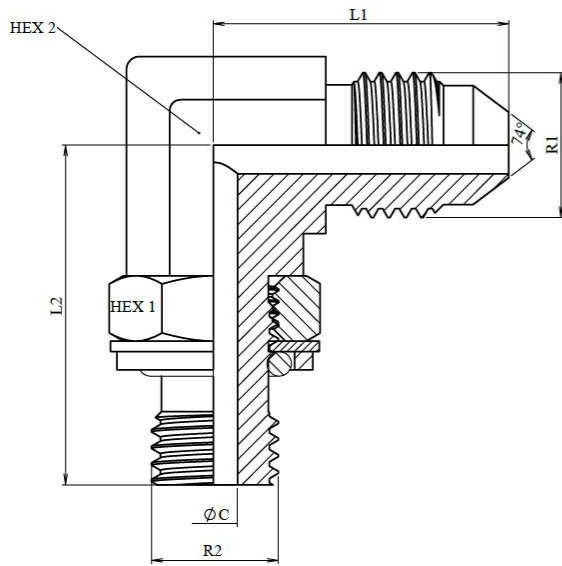


**90° Elbow male JIC 37°-BSP adjustable male**

Mild Steel

**1/1**

Part nº	ØD1	ØD2	R1	R2	L1	L2	HEX 1	HEX 2	ØC
<b>S6000610</b>	6	1/4	7/16" 20h UNF	1/8" BSP	22,5	26	14	12	4,4
<b>S6000613</b>	6	1/4	7/16" 20h UNF	1/4" BSP	22,5	31,5	19	14	4,4
<b>S6000810</b>	8	5/16	1/2" 20h UNF	1/8" BSP	24	28	14	14	6
<b>S6000813</b>	8	5/16	1/2" 20h UNF	1/4" BSP	27	31,5	19	14	6
<b>S6001013</b>	10	3/8	9/16" 18h UNF	1/4" BSP	27	31,5	19	17	6
<b>S6001017</b>	10	3/8	9/16" 18h UNF	3/8" BSP	27	36	22	17	6
<b>S6001021</b>	10	3/8	9/16" 18h UNF	1/2" BSP	31	43	27	22	6
<b>S6001213</b>	12	1/2	3/4" 16h UNF	1/4" BSP	31,5	33,5	19	19	9,5
<b>S6001217</b>	12	1/2	3/4" 16h UNF	3/8" BSP	31,5	36,5	22	19	9,9
<b>S6001221</b>	12	1/2	3/4" 16h UNF	1/2" BSP	34	43	27	22	9,5
<b>S6001617</b>	16	5/8	7/8" 14h UNF	3/8" BSP	39,5	36,5	22	22	12,3
<b>S6001621</b>	14-15-16	5/8	7/8" 14h UNF	1/2" BSP	37	43	27	22	12,3
<b>S6002021</b>	18-20	3/4	1"1/16 12h UNF	1/2" BSP	42	45	27	27	15,5
<b>S6002026</b>	18-20	3/4	1"1/16 12h UNF	3/4" BSP	42	49	32	27	15,5
<b>S6002033</b>	18-20	3/4	1"1/16 12h UNF	1" BSP	44	52	41	33	21,5
<b>S6002526</b>	25	1	1"5/16 12h UNF	3/4" BSP	46	52	36	33	21,4
<b>S6002533</b>	25	1	1"5/16 12h UNF	1" BSP	46	54	41	36	21,5
<b>S6003233</b>	30-32	1 1/4	1"5/8 12h UNF	1" BSP	52	57	41	41	27,4
<b>S6003242</b>	30-32	1 1/4	1"5/8 12h UNF	1"1/4 BSP	52	57	50	41	27,4
<b>S6003842</b>	38	1 1/2	1"7/8 12h UNF	1"1/4 BSP	59	61	50	48	33,3
<b>S6003848</b>	38	1 1/2	1"7/8 12h UNF	1"1/2 BSP	59	61	55	48	33,3

The material can be provided with imperial hexagons